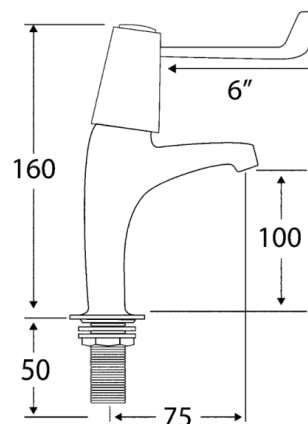


# F1074N Lever operated pillar taps

MODEL RANGE: WASH-TAPS-CONV | F1074N | 208.0574.187

Taps | Manual taps



Lever operated pillar taps for connecting to hot and cold water. Supplied with 6" long levers which can be operated with a closed fist or wrists using a quarter turn action. Manufactured from chromium plated brass. A wall mounted elbow is available (sold separately).

## Technical data

Tailor made	No
Type of mounting	Mounted on product
Type of operation	Manual operation
Material fitting	Brass
Type of mixing	With mixing
Surface finish fitting	Chromed
Type of tap	Pillar tap
Minimum flow pressure	0.10 bar
Spout projection	75.00 mm
Volume flow rate at 3 bar	0.41 liter per second
Depressurised	No
Functional principle	Manual
Product code	208.0574.187