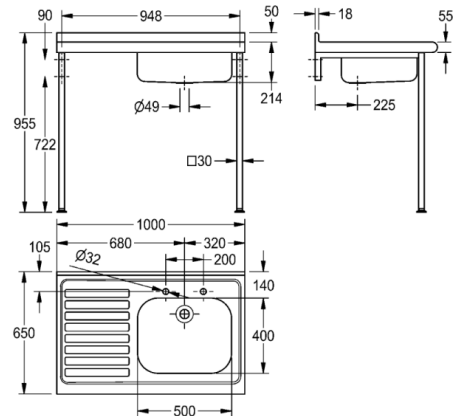


G22048LT Hospital Sink

MODEL RANGE: | G22048LT |

Utility sinks | Multi purpose sink



A range of sinks manufactured from 1.2mm thick, grade 1.4301 (304) stainless steel, satin polish finish. Available in different formats, single bowl, double bowl, single drainer and double drainer models - see illustrations opposite. Each sink profile incorporates a radiused front edge together with a radiused internal corner at the base of the upstand. All sink bowls are prepared for a 38mm waste outlet which can be supplied as an extra. All the sink units are suitable for mounting onto cabinets, front leg supports or cantilevered brackets - see extras listed below. L or R after the code numbers refers to the handing of the drainer ie. left or right when facing the unit. Single bowl, RH single drainer with 2 tapholes at 200mm centres

Technical data	
Bowl height	200.00 mm
Bowl depth	500.00 mm
Bowl width	400.00 mm
Material thickness	1.20 mm
Overall depth	650.00 mm
Overall height	220.00 mm
Overall width	1,000.00 mm
Drainer position	Left
Material	Stainless steel
Material code	1.4301 Chrome Nickel steel V2A
Tailor made	No
Tap ledge	Yes
Type of mounting	Wall mounting
Waste hole position	Center back
Bowl finish	Satin finish
Rear upstand	Yes
Surface finish	Satin finished
Waste size	DN 32
Drainer or storage	Drainer
Product code	215.0000.031